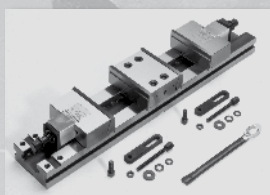




MC
pag. 3.1. 3



MC-XL
pag. 3.1. 4



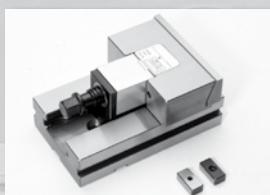
DCS-MC
pag. 3.1. 5



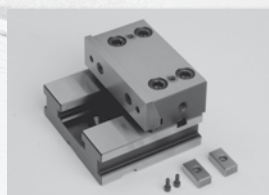
Extension element MC
pag. .1. 6



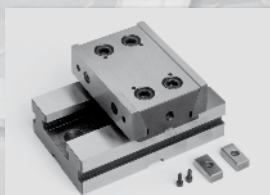
Double support with jaws MC
pag. 3.1. 6



Complete extension element MC
pag. 3.1. 6



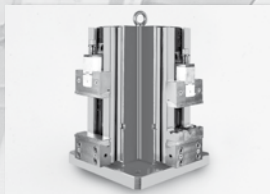
Base with fixed support with jaws MC
pag. 3.1. 7



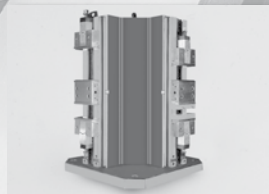
Base with double support with jaws MC
pag. 3.1. 7



MVS-MC
pag. 3.1. 8



VCS-MC
pag. 3.1. 10



DVCS-MC
pag. 3.1.11



Accessories MC
pag. 3.1. 13



Spare parts MC
pag. 3.1. 17

MC is...

Modular

We use the true definition of the term modular; product which is composed of separate or separable elements. With these separate or separable elements we can achieve many different clamping solutions.

The only different component of these clamping solutions is the base.

The base length determines the clamping capacity while all other components remain the same.

Fixed and movable vise jaws can be used with any base configuration, offering the most flexible workholding solutions available.

This modular system allows the user to realize the maximum number of workholding combinations with the minimum investment in equipment.

Durability

All components are constructed from oversize steel profiles ensuring the equipment is exceptionally sturdy and can provide the user with optimal performance.

Wear parts are special treated to achieve a surface hardness of 50/60 HRC.

All non-ground surfaces are burnished to protect against corrosion.

Quick-change

A patented system allows quick repositioning of the clamping jaws .

The clamping jaw is lifted slightly from the base and shuttled to the next clamping position then lowered into place.

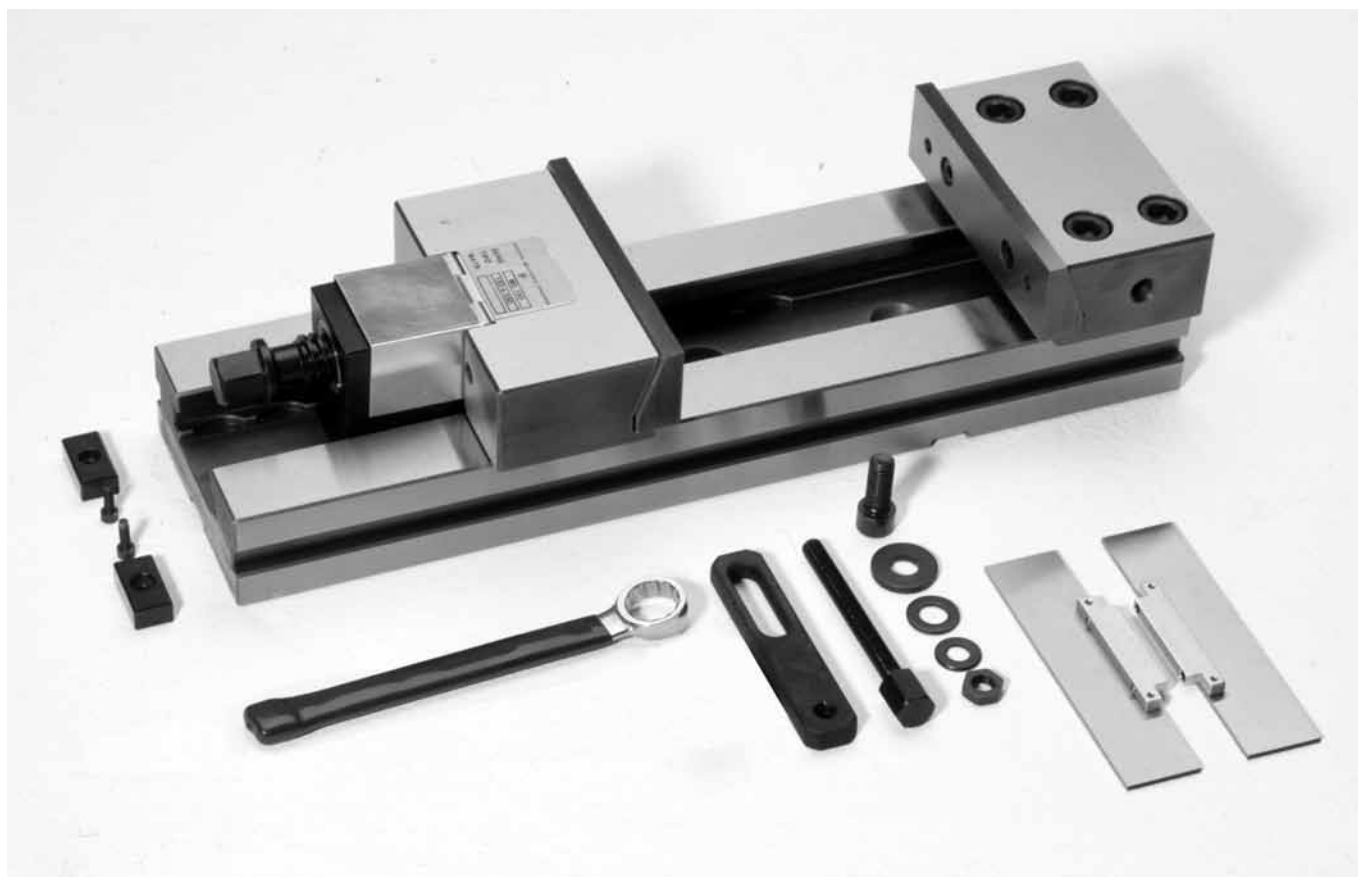
Part changeovers and size changes can be made quickly and easily.

Versatility

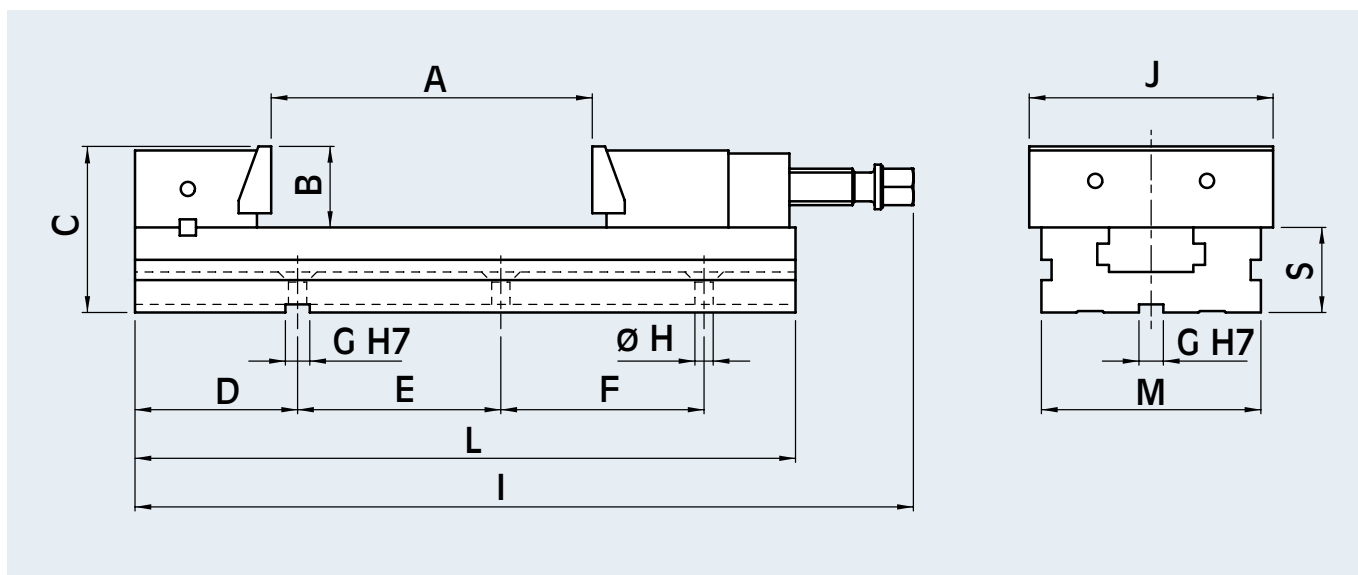
The standard CLAK system allows the quick-change of parallels, angular parallels, soft jaws and "V" jaws in order to machine any workpiece.

Manageable

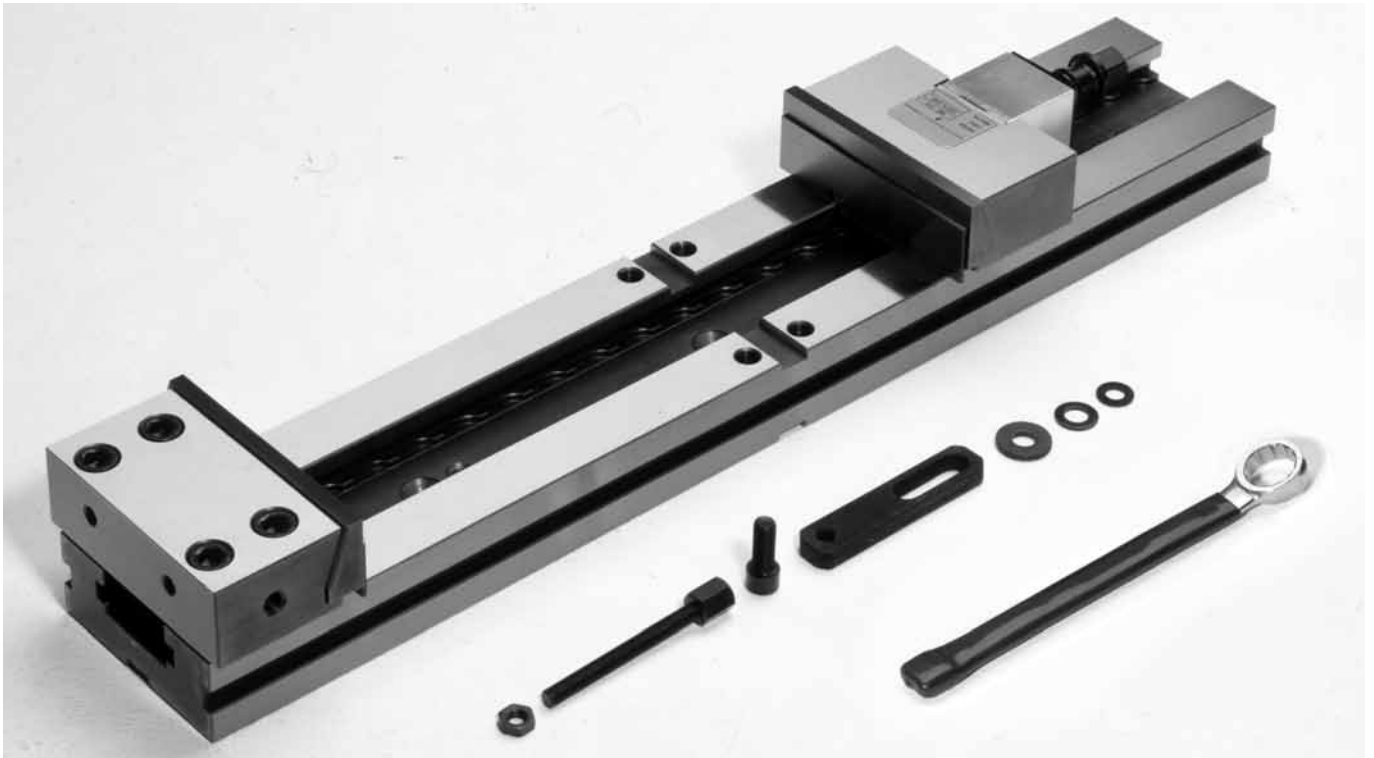
The weight of 25 kg (55 lb.) for the 150 mm. x 200 mm. (6"x 8") vise and simple clamping system allow for easy movement from one machine tool to another.



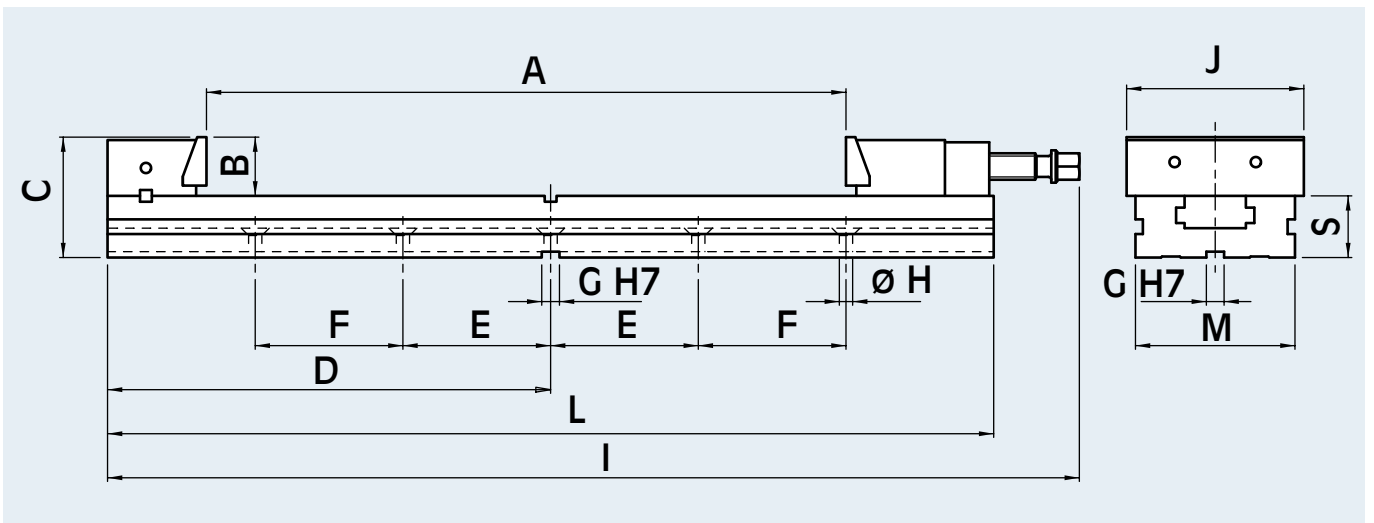
Clamping equipment MC complete with wrench , work stop, rigid slide way (floating slide-way at request for raw workpiece), pair of positioning keys, pair of CLAK parallels, cover for protection of the screw, cardboard box.



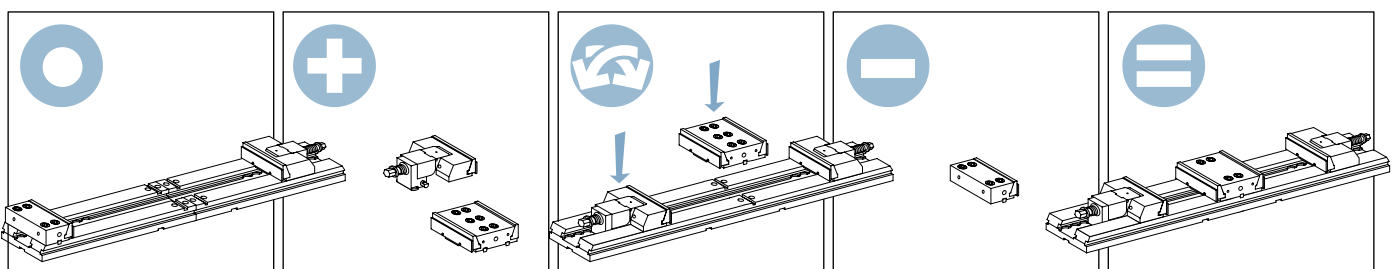
Cod.	type	A mm	B mm	C mm	D mm	E mm	F mm	G mm	H mm	I mm	J mm	L mm	M mm	O mm	S mm	weight kg
77 58 06 01	MC 150 x 200	200	50	102	120	200	-	18	12,5	482	150	415	128	85	52	25,5
77 58 06 02	MC 150 x 250	250	50	102	120	100	100	18	12,5	532	150	465	128	85	52	27,5
77 58 06 03	MC 150 x 300	300	50	102	120	100	100	18	12,5	587	150	520	128	85	52	30,4
77 58 07 01	MC 200 x 300	300	70	136	150	150	150	18	12,5	656	200	570	168	109	66	66
77 58 07 02	MC 200 x 400	400	70	136	150	200	200	18	12,5	756	200	670	168	109	66	68

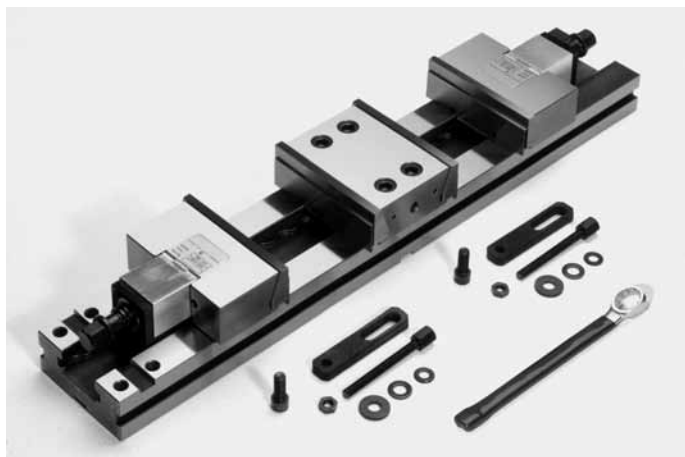


Clamping equipment **MC-XL** complete with wrench, work stop, rigid slide-way, (floating slide-way at request for raw workpiece), pair of positioning keys, pair of **CLAK** parallels, cover for protection of the screw, cardboard box.



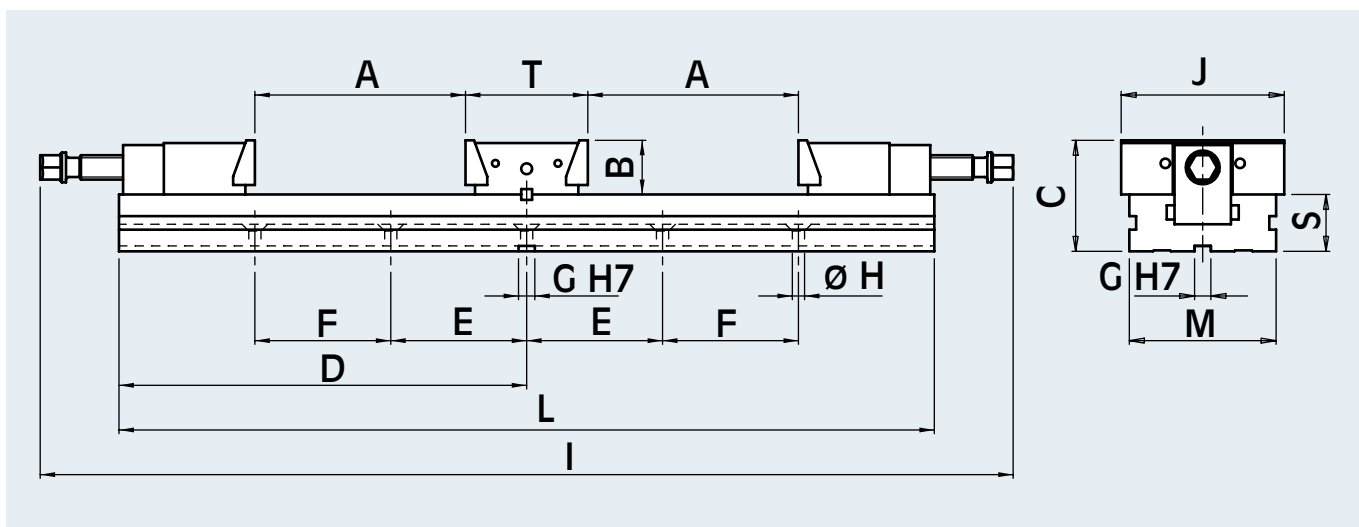
Cod.	for type	A mm	B mm	C mm	D mm	E mm	F mm	G mm	H mm	I mm	J mm	L mm	M mm	S mm	Weight kg
77 58 06 04	MC 150 x 545	545	50	102	379	100	150	18	12,5	828	150	758	128	52	37
77 58 06 05	MC 150 x 655	655	50	102	439	100	200	18	12,5	938	150	878	128	52	41





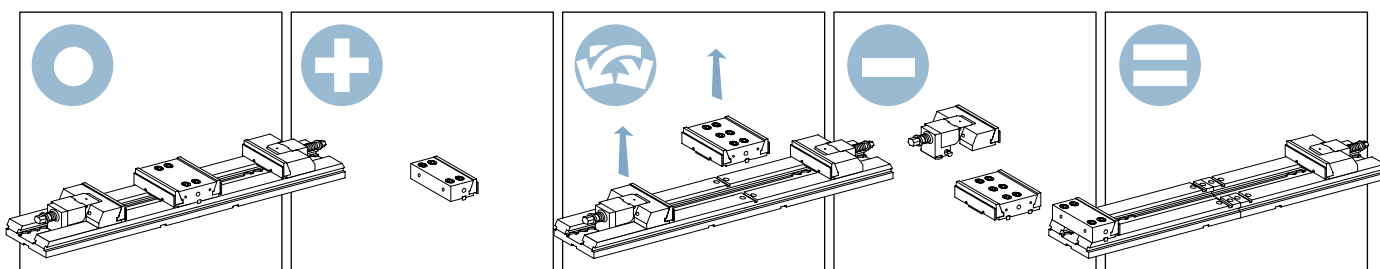
Double clamping equipment DCS-MC complete with:

- 1 wrench,
- 2 work stops,
- 2 rigid slide-ways, (floating slide-way at request for raw workpiece),
- 1 pair of positioning keys,
- 2 pair of CLAK parallels,
- 2 covers for protection of the screw,
- cardboard box.

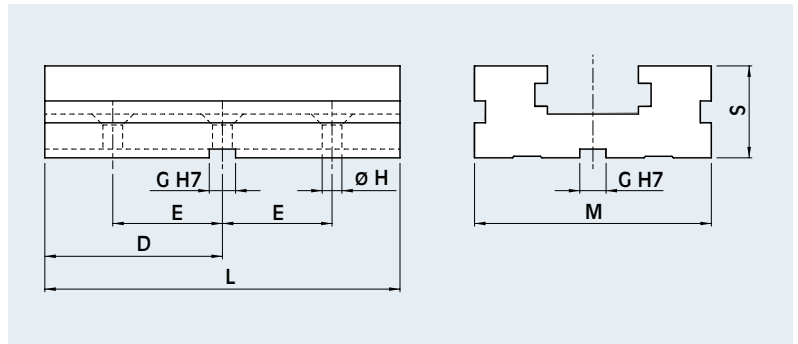


Cod.	for type	A mm	B mm	C mm	D mm	E mm	F mm	G mm	H mm	I mm	J mm	L mm	M mm	S mm	T mm	Weight kg
77 58 16 01	MC 150 x 200	200	50	102	379	100	150	18	12,5	897	150	758	128	52	103	44
77 58 16 02	MC 150 x 250	250	50	102	439	100	200	18	12,5	997	150	878	128	52	103	48

The modularity of the system combined some other component offers many additional clamping solutions.

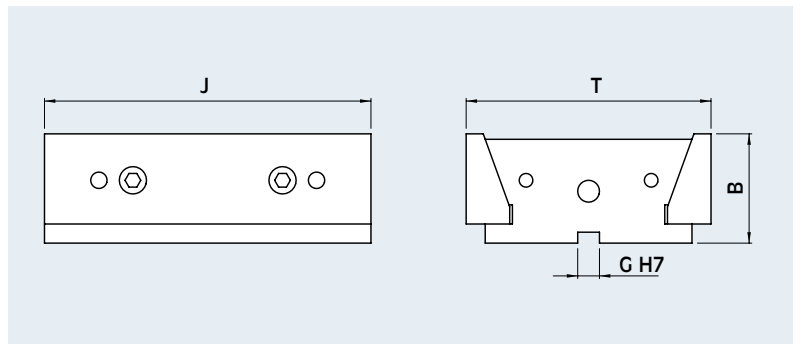


MC extension element with pair of positioning keys



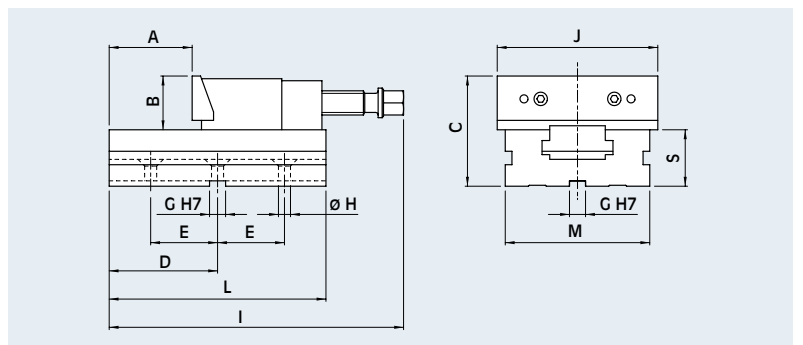
Cod.	for type	D mm	E mm	G mm	H mm	L mm	M mm	S mm	weight kg
58 06 17 00	MC 150 x ...	114	75	18	12,5	228	128	52	8
58 07 17 00	MC 200 x ...	140	100	18	12,5	280	168	66	18

MC double fixed support with jaw



Cod.	for type	B mm	G mm	J mm	T mm	weight kg
58 16 72 10	MC 150 x ...	50	12	150	103	5
58 17 72 10	MC 200 x ...	70	18	200	140	15

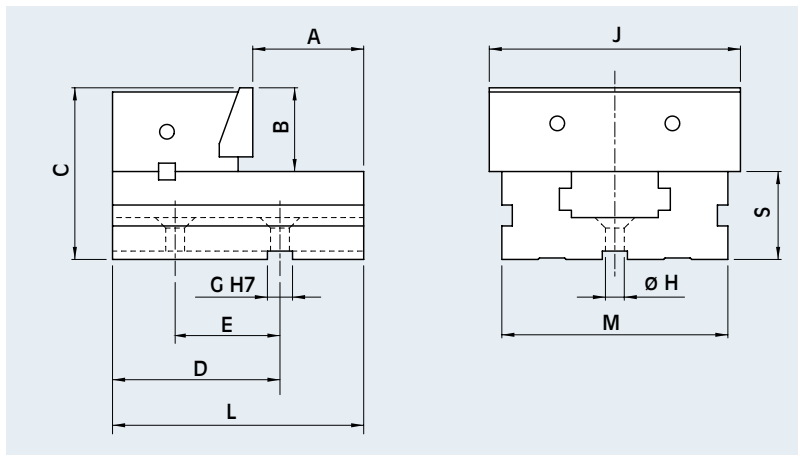
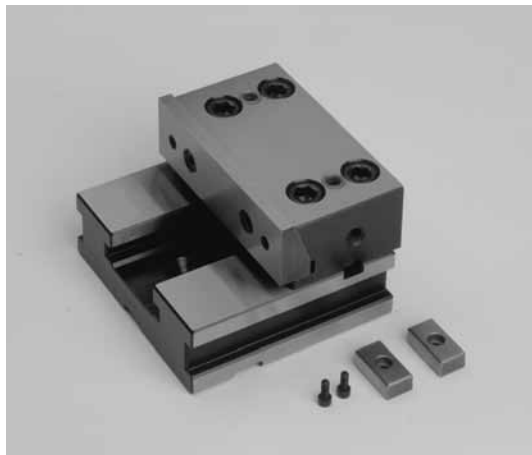
MC complete extension element with pair of positioning keys



Cod.	for type	A mm	B mm	C mm	D mm	E mm	G mm	H mm	I mm	J mm	L mm	M mm	S mm	weight kg
58 06 71 10	MC 150	100	50	102	114	75	18	12,5	295	150	228	128	52	14,5
58 07 71 10	MC 200	120	70	136	140	100	18	12,5	370	200	280	168	66	34,5

MC base with fixed support with jaw

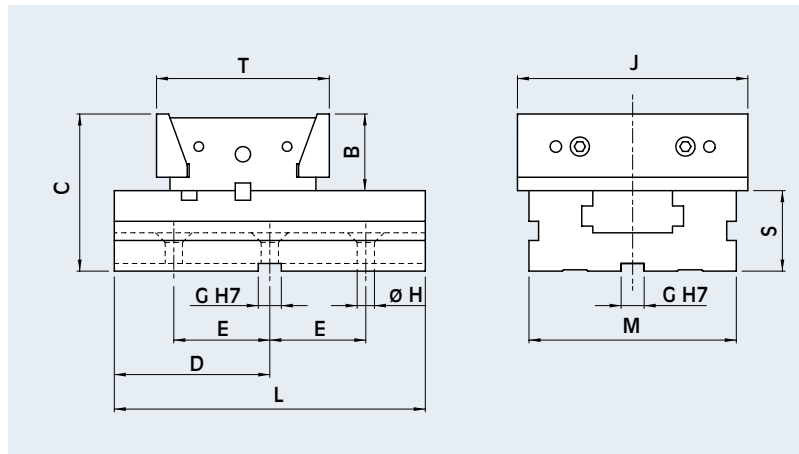
complete with pair of positioning keys



Cod.	for type	A mm	B mm	C mm	D mm	E mm	G mm	H mm	J mm	L mm	M mm	S mm	weight kg
58 06 70 10	MC 150	85	50	102	120	75	18	12,5	150	170	128	52	9,5
58 07 70 10	MC 200	96	70	136	150	100	18	12,5	200	205	168	66	22

MC base with double fixed support with jaw

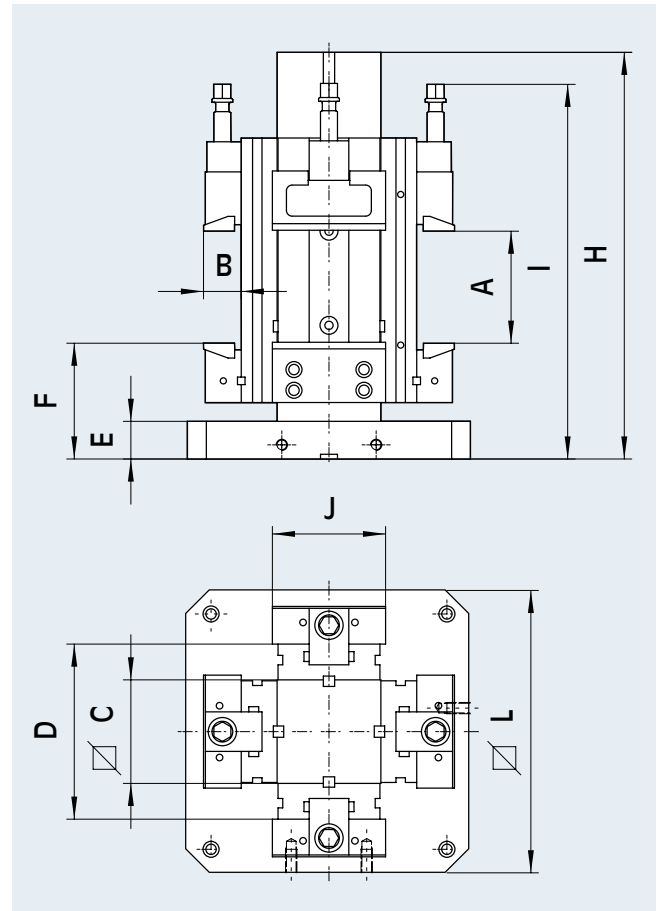
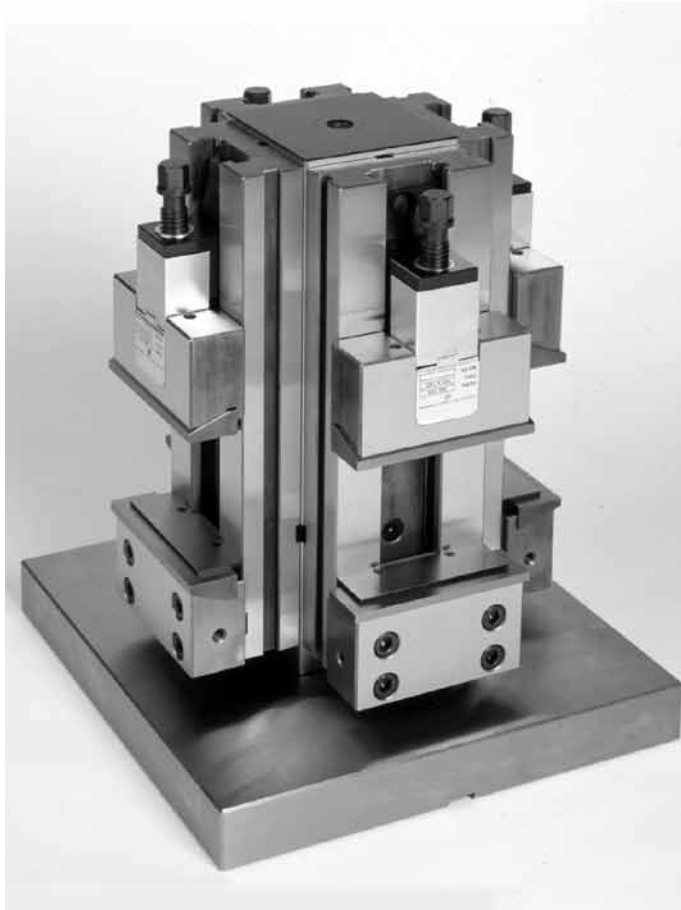
complete with pair of positioning keys



Cod.	for type	B mm	C mm	D mm	E mm	G mm	H mm	J mm	L mm	M mm	S mm	T mm	weight kg
58 16 70 10	MC 150	50	102	100	75	18	12,5	150	200	128	52	103	13
58 17 70 10	MC 200	70	136	125	100	18	12,5	200	250	168	66	140	40

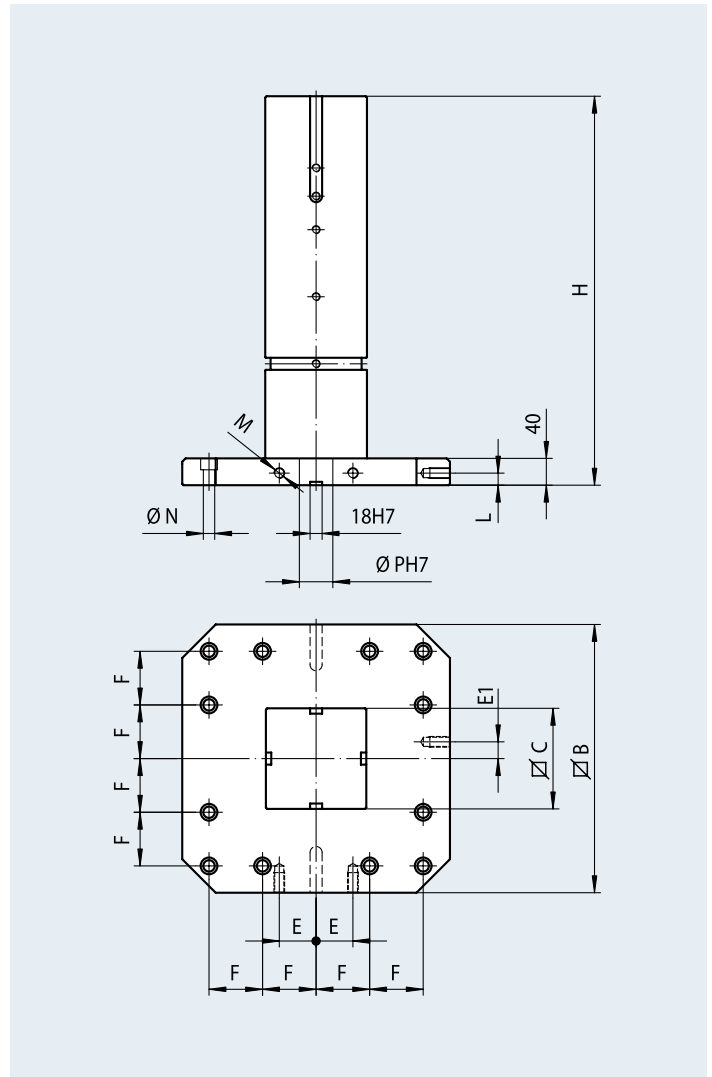
Vertical clamping system complete with:
 4 clamping equipment MC
 1 column
 1 base for vertical system MC
 4 pair of CLAK parallels
 4 covers for protection for the screws

4 rigid slide-ways (floating slide-ways on request for raw work pieces)
 4 work stops
 4 wrenches
 eye bolt for lifting,
 wooden packing case



Cod.	for type	A mm	B mm	C mm	D mm	E mm	F mm	H mm	I mm	J mm	L mm	weight kg
77 58 26 21	MC 150 x 200	200	50	150	254	40	146	580	545	150	400	249
77 58 26 22	MC 150 x 250	250	50	150	254	40	146	580	595	150	400	257
77 58 26 23	MC 150 x 300	300	50	150	254	40	146	580	650	150	400	267
77 58 26 31	MC 150 x 200	200	50	150	254	40	146	580	545	150	500	276
77 58 26 32	MC 150 x 250	250	50	150	254	40	146	580	595	150	500	284
77 58 26 33	MC 150 x 300		50	150	254	40	146	580	650	150	500	294
77 58 27 31	MC 200 x 300	300	70	200	332	40	159	661	711	200	500	535

Working examples see pag. 2.18



Cod.	for type	B mm	C mm	E mm	E1 mm	F mm	H mm	L mm	M mm	N mm	P mm	weight kg
58 22 80 20	MC 150	400	150	55	25	80	580	18	16	17	50	142
58 22 80 30	MC 150	500	150	75	25	100	580	18	16	17	50	169
58 23 80 30	MC 200	500	200	75	25	100	661	18	16	17	50	266

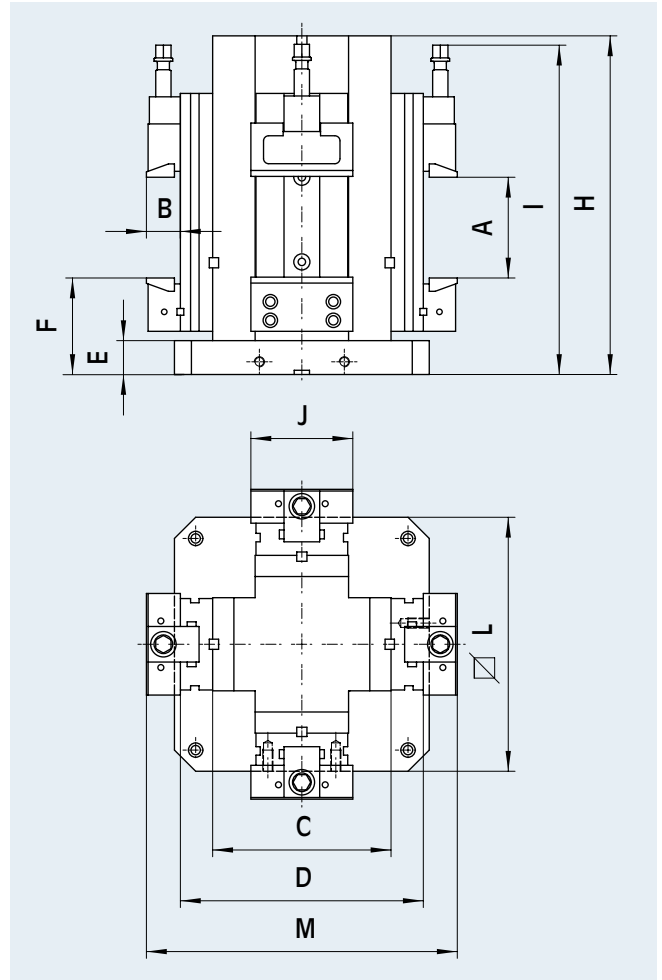


Insert for vertical use

Cod.	for type
58 22 33 00	MC 150
58 23 33 00	MC 200

Cross Vertical clamping system complete with:
 4 clamping equipment MC
 1 cross cube
 4 pair of CLAK parallels
 4 covers for protection for the screws

4 guided slide-ways (floating slide-ways on request for raw workpieces)
 4 work stops
 4 wrenches
 eye bolt for lifting
 wooden packing case



Cod.	for type	A mm	B mm	C mm	D mm	E mm	F mm	H mm	I mm	J mm	L mm	M mm	weight kg
77 58 56 21	MC 150 x 200	200	50	300	404	40	140	580	540	150	400	504	314
77 58 56 22	MC 150 x 250	250	50	300	404	40	140	580	590	150	400	504	322
77 58 56 23	MC 150 x 300	300	50	300	404	40	140	580	647	150	400	504	332
77 58 56 31	MC 150 x 200	200	50	300	404	40	140	580	540	150	500	504	342
77 58 56 32	MC 150 x 250	250	50	300	404	40	140	580	590	150	500	504	350
77 58 56 33	MC 150 x 300	300	50	300	404	40	140	580	547	150	500	504	360
77 58 57 41	MC 200 x 300	300	70	350	482	45	168	670	720	200	630	622	627

Working examples see pag. 2.20

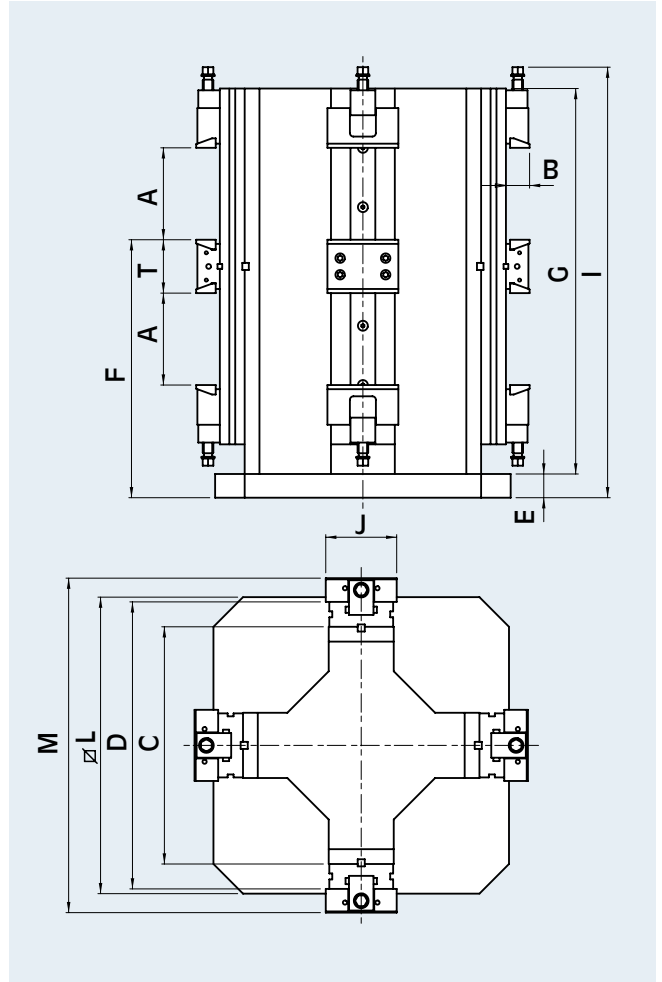
Modular Vertical double Clamping Systems

DVCS-MC

3.1

Vertical clamping system complete with:
 4 double clamping equipment MC
 1 cross cube XL
 8 pair of CLAK parallels
 8 covers for protection for the screws

8 guided slide-ways (floating slide-ways on request for raw workpieces)
 8 work stops
 8 wrenches
 eye bolt for lifting
 wooden packing case

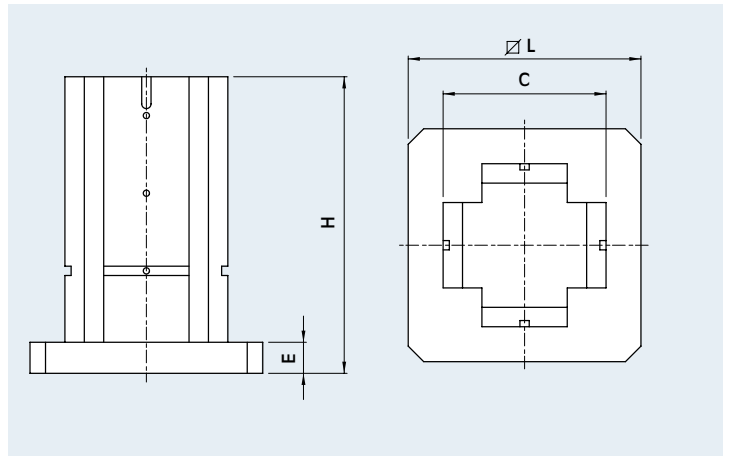


Cod.	for type	A mm	B mm	C mm	D mm	E mm	F mm	G mm	I mm	J mm	L mm	M mm	T mm	Weight kg
77 58 66 01	DVCS -MC 150 x 200	200	50	550	654	45	515	795	890	150	630	754	103	680

Working examples see pag. 2.21



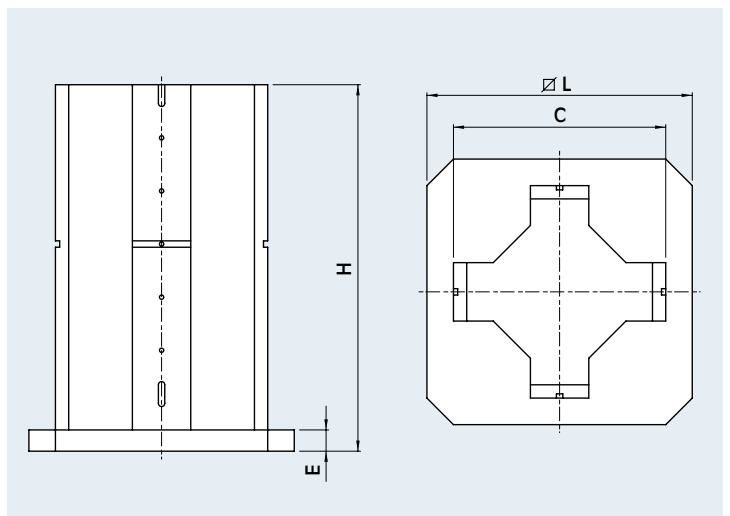
Cross cube for VCS-MC



Cod.	for type	C mm	E mm	H mm	L mm	weight kg
58 52 80 20	MC 150	300	40	580	400	212
58 52 80 30	MC 150	300	40	580	500	240
58 53 80 40	MC 200	350	45	670	630	363



Cross cube for DVCS-MC



Cod.	for type	C mm	E mm	H mm	L mm	weight kg
58 62 80 00	DVCS-MC 150 x ...	550	45	840	630	475



Insert for vertical use

Cod.	for type
58 22 33 00	VCS - MC 150
58 23 33 00	VCS - MC 200



Pair of grooved jaws

Cod.	for type	
58 06 44 09	MC 150 x ...	
58 07 44 09	MC 200 x ...	



Insert for vertical use

(MVS, VCS, DVCS)

Cod.	for type	
58 22 33 00	MC 150	
58 23 33 00	MC 200	



Torque wrench

Cod.	for type	
51 50 10 02	MC 150 x ...	
51 50 10 03	MC 200 x ...	



Air/oil block complete

with cylinder and tang

Cod.	for type	
58 02 75 00	MC 150 x ...	
58 03 75 00	MC 200 x ...	



Air/oil foot pump

with joining pipe cm. 180 (71") and complete block for air/oil application

Cod.	for type	
77 58 02 51	MC 150 x ...	
77 58 03 51	MC 200 x ...	



Air/oil foot pump

Cod.	for type	
71 66 03 05	MC 150 x ...	
71 66 03 05	MC 200 x ...	



Air/oil manual pump

Cod.	for type	
71 66 03 15	MC 150 x ...	
71 66 03 15	MC 200 x ...	



Pressure - gauge with graduated scale in Kg

Cod.	for type	
51 43 12 51	MC 150 x ...	
51 43 12 51	MC 200 x ...	



Joining pipe M. 1,80 (71')

cod.	for type	
71 70 87 13	MC 150 x ...	
71 70 87 13	MC 200 x ...	



Joining pipe M. 3 (118'')

Cod.	for type	
71 70 87 14	MC 150 x ...	
71 70 87 14	MC 200 x ...	

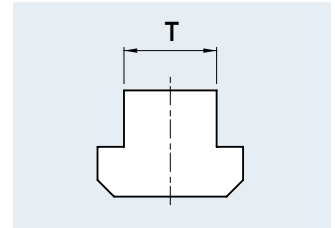


Joining pipe M. 6 (236'')

Cod.	for type	
71 70 87 15	MC 150 x ...	
71 70 87 15	MC 200 x ...	



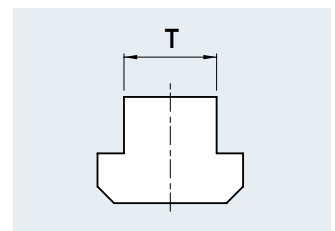
Pair of clamps complete
with screw and T nuts



Cod. for T						for type
mm 12	mm 14	mm 16	mm 18	mm 20	mm 22	
58 02 27 92	58 02 27 93	58 02 27 94	58 02 27 95	58 02 27 96	58 02 27 97	MC 150 x ...
58 03 27 92	58 03 27 93	58 03 27 94	58 03 27 95	58 03 27 96	58 03 27 97	MC 200 x ...



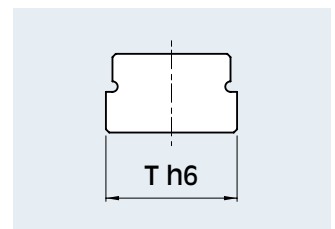
Pair of nuts complete
with screws at 45°



cod. for T						for type
mm 12	mm 14	mm 16	mm 18	mm 20	mm 22	
58 02 25 92	58 02 25 93	58 02 25 94	58 02 25 95	58 02 25 96	58 02 25 97	MC 150 x ...
58 03 25 92	58 03 25 93	58 03 25 94	58 03 25 95	58 03 25 96	58 03 25 97	MC 200 x ...

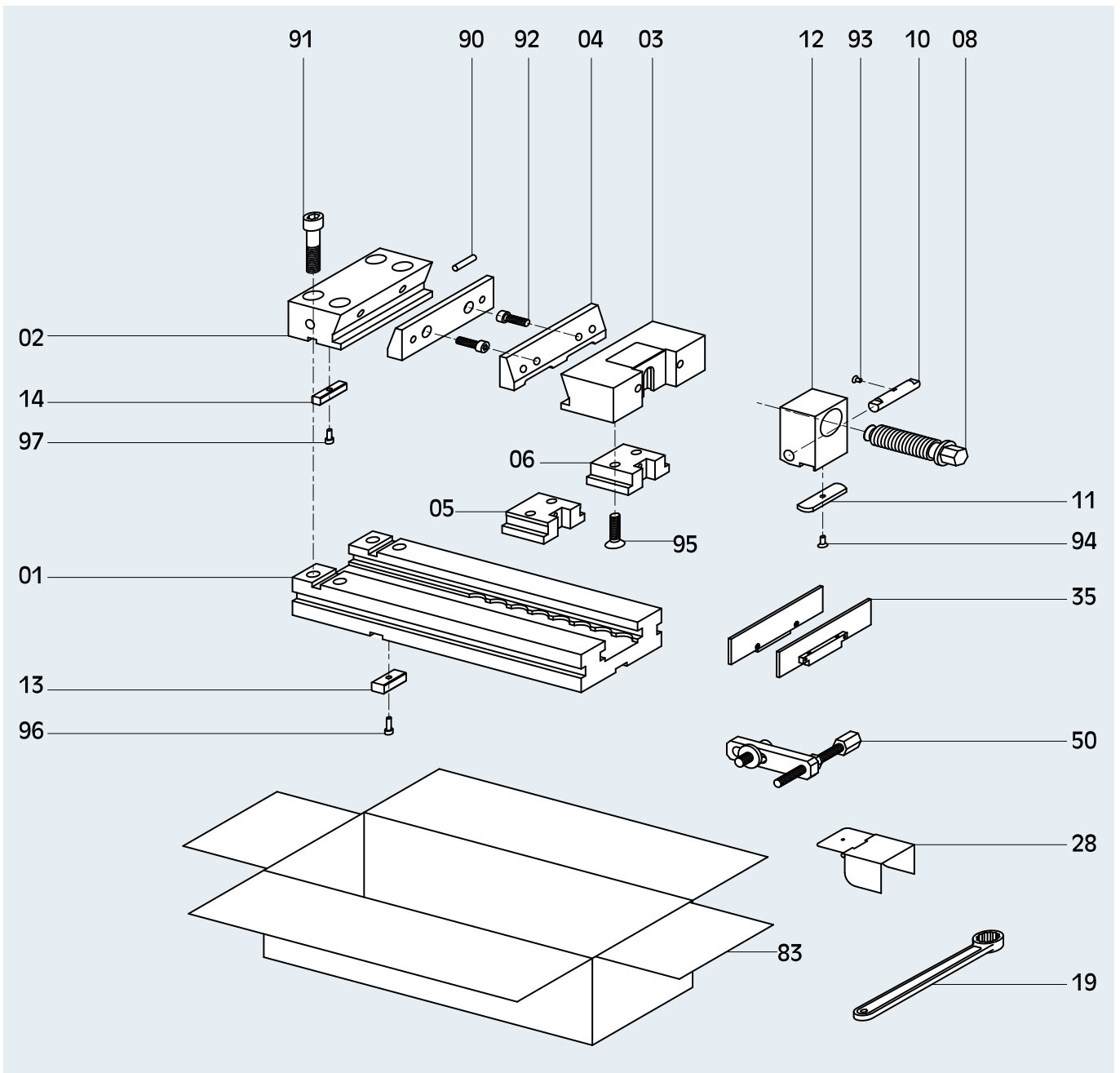


Pair of positioning key
with special dimensions



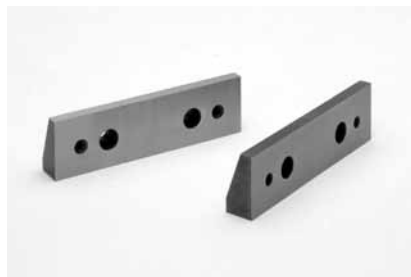
Cod for T						for type
mm 12	mm 14	mm 16	mm 18	mm 20	mm 22	
58 02 13 92	58 02 13 93	58 02 13 94	-	58 02 13 96	58 02 13 97	MC 150 x ...
58 02 13 92	58 02 13 93	58 02 13 94	-	58 02 13 96	58 02 13 97	MC 200 x ...

accessories for clamping equipment



Description

01.....	Base	12.....	Block for clamping screw	90.....	Rubber pad
02.....	Fixed support	13.....	Positioning key	91.....	Screw TCEI
03.....	Movable support	14.....	Key for support	92.....	Screw TCEI
04.....	Jaw	19.....	Wrench	93.....	Screw TPS
05.....	Floating slide-way	28.....	Cover for protection of the screw	94.....	Screw TPS
06.....	Rigid slide-way	38.....	Pair of CLAK parallels	95.....	Screw TPS
08.....	Clamping screw	50.....	Work stop	96.....	Screw TCEI
10.....	Contrast pin	83.....	Cardboard box	97.....	Screw TCEI
11.....	Positioning plate				



Pair of smooth jaws

Cod.	for type	
58 06 04 09	MC 150 x ...	
58 07 04 09	MC 200 x ...	



Fixed support with jaw

Cod.	for type	
58 06 72 10	MC 150 x ...	
58 07 72 10	MC 200 x ...	



Movable support with jaw

Cod.	for type	
58 06 73 10	MC 150 x ...	
58 07 73 10	MC 200 x ...	



Floating slide-way

Cod.	for type	
58 02 05 00	MC 150 x ...	
58 07 05 00	MC 200 x ...	



Rigid slide-way

Cod.	for type	
58 02 06 00	MC 150 x ...	
58 07 06 00	MC 200 x ...	



Pair of keys for fixed suport

Cod.	for type	
58 02 14 09	MC 150 x ...	
58 02 13 95	MC 200 x ...	



Wrench

Cod.	for type	
58 02 19 00	MC 150 x ...	
58 03 19 00	MC 200 x ...	



Complete clamping block (new type)

Cod.	for type	
58 02 74 11	MC 150 x ...	
58 03 74 11	MC 200 x ...	



Block for clamping screw (new type)

Cod.	for type	
58 02 12 12	MC 150 x ...	
58 03 12 12	MC 200 x ...	



Clamping screw (old type)

Cod.	for type	
58 02 08 10	MC 150 x ...	
58 03 08 10	MC 200 x ...	



Clamping screw (new type)

Cod.	for type	
58 02 08 12	MC 150 x ...	
58 03 08 12	MC 200 x ...	



Bronze bushing (old type)

Cod.	for type	
58 02 09 00	MC 150 x ...	
58 03 09 00	MC 200 x ...	



Contrast pin (old type)

Cod.	for type	
58 02 10 00	MC 150 x ...	
58 03 10 00	MC 200 x ...	



Contrast pin (new type)

Cod.	for type	
58 02 10 01	MC 150 x ...	
58 03 10 01	MC 200 x ...	



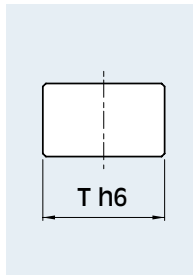
Positioning plate (old type)

Cod.	for type	
58 02 11 10	MC 150 x ...	
58 03 11 10	MC 200 x ...	



Positioning plate (new type)

Cod.	for type	
58 02 11 11	MC 150 x ...	
58 03 11 11	MC 200 x ...	



Pair of standard positioning keys

Cod.	for type	T h6 mm
58 02 13 95	MC 150 x ...	18
58 02 13 95	MC 200 x ...	18



Work stop

Cod.	for type	
58 02 50 00	MC 150 x ...	
58 03 50 00	MC 200 x ...	



Cover for protection of the screw

Cod.	for type	
58 02 28 10	MC 150 x ...	
58 03 28 10	MC 200 x ...	



Block for cylinder

Cod.	for type	
58 02 12 20	MC 150 x ...	
58 03 12 20	MC 200 x ...	



Tang for cylinder

Cod.	for type	
58 02 16 00	MC 150 x ...	
58 03 16 00	MC 200 x ...	



Can of oil

Cod.	for type	
10 72 99 40	MC 150 x ...	
10 72 99 40	MC 200 x ...	

