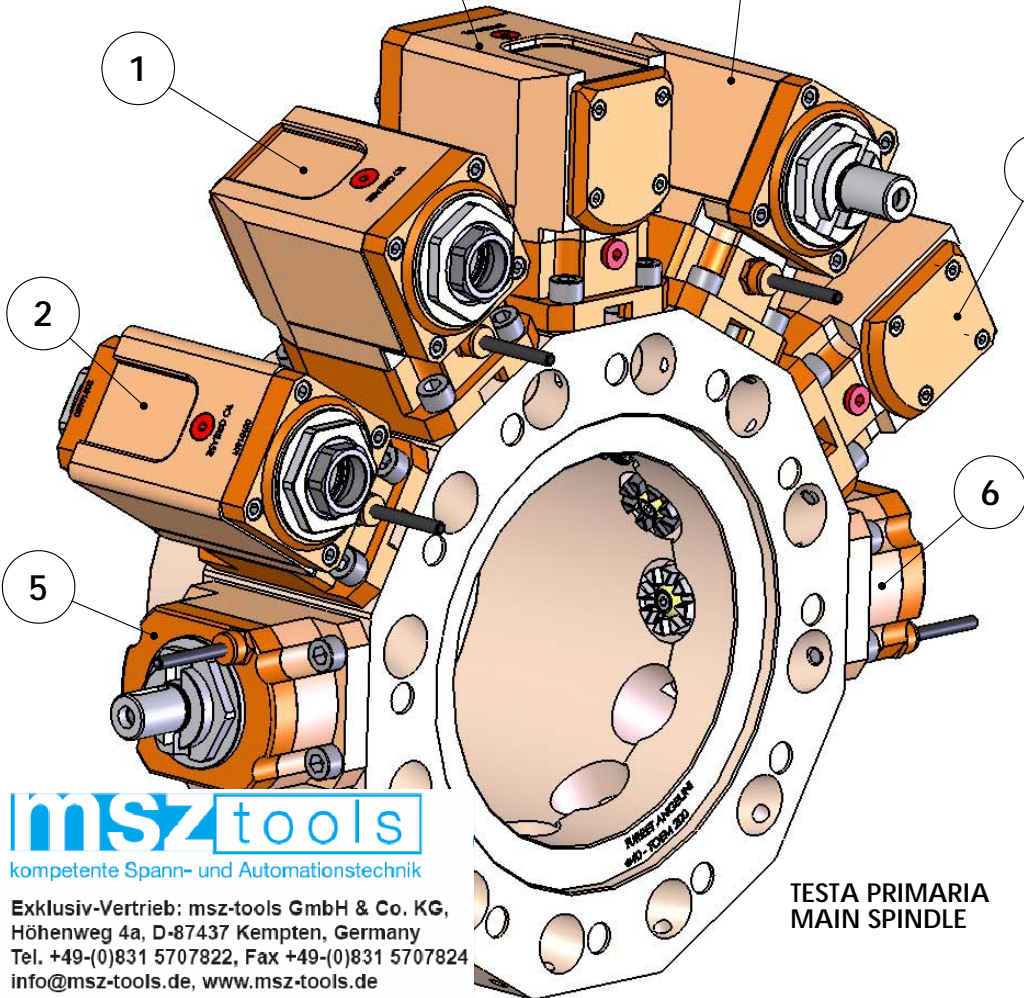
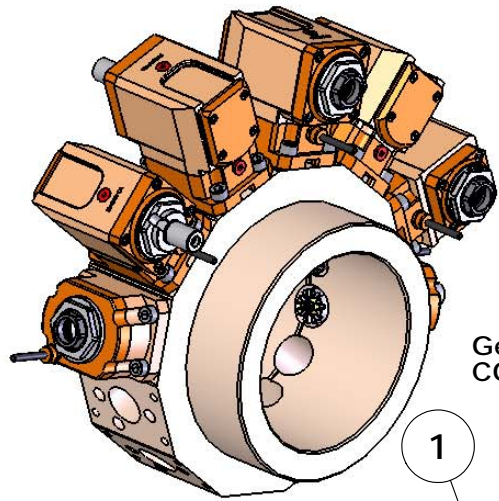


**ANGELINI**  
Anschluß Baruffaldi  
ø40 - TOEM 200  
TBMR-200

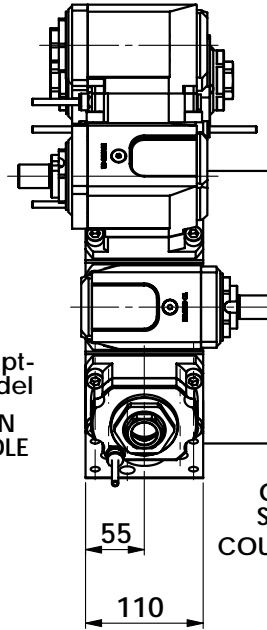
**H85**

Gegenspindel  
COUNTERSPINDLE

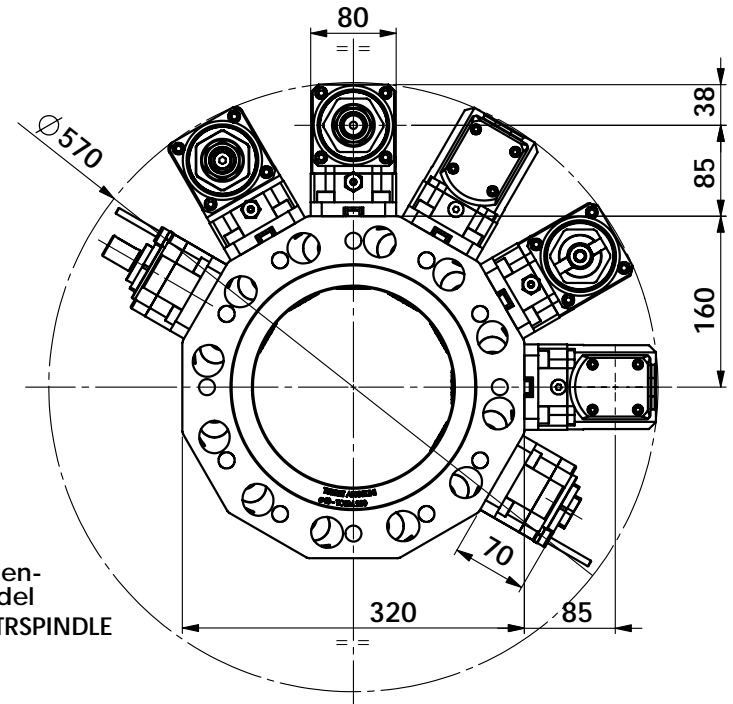


TESTA PRIMARIA  
MAIN SPINDLE

Haupt-  
Spindel  
MAIN  
SPINDLE



Gegen-  
Spindel  
COUNTRSPINDLE



L - R = MONTAGGIO TESTA PRINCIPALE  
E TESTA SECONDARIA

L - R = MAIN SPINDLE AND COUNTERSPINDLE  
MOUNTING

6	LT-S D40 ER32F H56 AN	1	05080300-R012
5	LT-S D40 DIN138-22 H74 AN	1	05080200-R011
3	LT-A D40 DIN138-22 L-R H85 AN	2	05080900-R011
2	LT-A D40 ER32-32-F L-R H85 AN	1	05080800-R011
1	LT-A D40 ER32-F L-R H85 AN	2	05080600-R011
Pos.	Beschreibung / Artikel	Menge	Bestell-Nr.

**SMW AUTOBLOK GROUP**

PROPRIETA' RISERVATA - Il presente disegno e' di proprieta' della MARIO PINTO SpA e non potra' essere comunicato a terzi o riprodotto in tutto o in parte senza il consenso scritto della stessa.

NOTICE - This drawing is property of MARIO PINTO SpA ITALY and shall not be reproduced, duplicated or copied in whole or in part, nor shall it be released to others without the written permission of the owner.

Diese Zeichnung darf ohne schriftliche Genehmigung von MARIO PINTO SpA ITALIEN weder kopiert noch dritten Personen mitgeteilt werden

**msztools**  
kompetente Spann- und Automationstechnik

Exklusiv-Vertrieb: msz-tools GmbH & Co. KG,  
Höhenweg 4a, D-87437 Kempten, Germany  
Tel. +49-(0)831 5707822, Fax +49-(0)831 5707824  
info@msz-tools.de, www.msz-tools.de

MARIO  PINTO  
TORINO  
MARIO PINTO Sp.A.

PAngetriebene Werkzeuge für  
Revolver **ANGELINI**  
Innesto Baruffaldi ø40-TOEM 200

**ANGELINI**

SCALE/SCALA  
A3

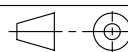
DATE/DATE  
17-07-2006

DRAWN BY/DISEGN.  
PESANDO E.

CHECKED/VISTO

N. REVISED/MODIFICA  
ASSEMBLY/COMPLESS.

DATA FIRMA  
DRAWING/DISEGNO



WEIGHT/PESO  
Raw Greggio Machined Pinto

THE COMPANY GUARDS  
ITS DRAWINGS ACCORDING  
TO THE LAW

**5010 8380**